

# ***Fubag***

Электростанция бензиновая  
Power station

## Operator's Manual Инструкция по эксплуатации

**BS 2200**

**BS 4400**

**BS 5500**

**BS 6600**





**WARNING! BEFORE USING THE MACHINE READ THE INSTRUCTION MANUAL CAREFULLY!**

Our generators FUBAG are designed to give safe and dependable service if operated according to instructions.

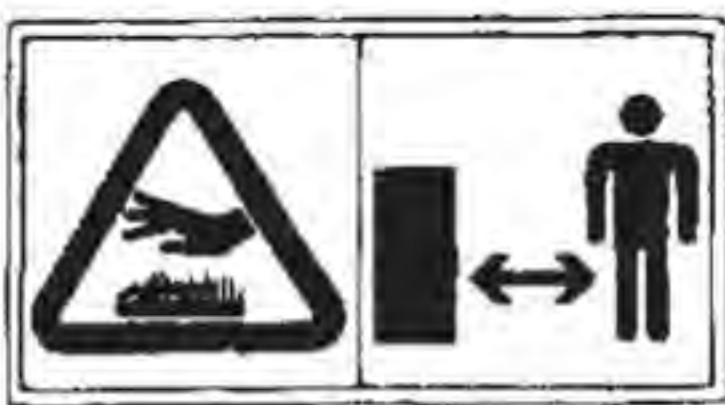
Read and understand the manual before operating the generator FUBAG. Failure to do so could result in personal injury or equipment damage.

## 1. General safety



Exhaust gas contains poisonous carbon monoxide.

Never run the generator in an enclosed area. Be sure to provide adequate ventilation. When installed in ventilated protection are to be observed.



The muffler becomes very hot during operation and remains hot for a while after stopping the engine.

Be careful not to touch the muffler while it is hot. Let the engine cool before storing the generator indoors. The engine exhaust system will be heated during operation and remain hot immediately after stopping the engine.

To prevent scalding, pay attention to the warning marks attached to the generator.



Gasoline is extremely flammable and explosive under certain conditions. Refuel in a well ventilated area with the engine stopped.

Keep away from cigarette, smoke and sparks when refueling the generator. Always refuel in a well-ventilated location.

Wipe up spilled gasoline at once.



Connections for standby power to a building's electrical system must be made by a qualified electrician and must comply with all applicable laws and electrical codes. Improper connections can allow electrical current from the generator to back feed into the utility lines. Such back feed may electrocute utility company workers or others who contact the lines during a power outage, and when utility power is restored, the generator may explode, burn or cause fires in the building's electrical system.

**! WARNING!**

- Always make a pre-operation inspection before you start the engine. You may prevent an accident or equipment damage.

- Place the generator at least 5m away from buildings or other equipment during operation.
- Operate the generator on a level surface. If the generator is tilted, fuel spillage may result.
- Know how to stop the generator quickly and understand operation of all the controls. Never permit anyone to operate the generator without proper instructions.
- Keep children and pets away from the generator when it is in operation.
- Keep away from rotating parts while the generator is running.
- The generator is a potential source of electrical shocks when misused; do not operate with wet hands.
- Do not operate the generator in rain or snow and do not let it get wet.
- The power generator is a mains replacement that generates electrical power for supply to a mobile distribution system.
- The power generator must be operated outdoors within the prescribed voltage, output and rated speed limits (see type plate).
- The power generator must not be connected to other electrical supply systems or electric generation systems (e.g. other power generators).
- The power generator may not be used in environments where there is a risk of explosion.
- The power generator may not be used in environments where there is a risk of fire.
- The power generator must be operated in accordance with the conditions set out in the technical documentation.
- All improper use of the power generator including all uses not described in these instructions will constitute unauthorized incorrect usage for which the manufacturer is not legally liable.
- Operation in environments where there is a risk of explosion and fire.
- Operation in enclosed areas and under direct exposure to rain or snowfall.
- Operation without the requisite safety precautions and connected to existing supply network systems.
- Spraying with high-pressure cleaners or fire extinguishing equipment.
- Non-compliance with regular servicing requirements.
- Failure to carry out measurements and checks for early detection of defects.
- Know and apply the Prevention of Injury regulations and the safety instructions for the power generator.
- Understand and be able to practically implement the technical documentation.
- The operator must know the functions of, and be able to use, the components of the power generator.
- The operator must wear the appropriate personal safety equipment.
- The labelling on the electrical generator must be complete and maintained in a readable condition.
- Constructive changes may not be carried out on the electrical generator.
- The rated speed of the motor has been set during manufacture and may not be changed.
- The operating safety and correct functioning must be checked before and after each use.
- No naked flames, lights or spark-emitting appliances may be used within the hazard area of the power generator.
- Smoking within the hazard area of the power generator is strictly forbidden.
- During operation, the power generator must be protected from dirt and foreign matter.
- The power generator may only be transported when cold.
- The power generator may only be lifted using the carry handles intended for this purpose.
- The electrical safety must be checked before each operational use.
- The appliance may not be covered. The air intake may not be blocked or obstructed.
- When starting, the load may not be connected.
- Only certified and approved cables may be used for the wired network.
- The power drawn may not exceed the maximum rated power.

- The power generator may not be operated without the sound absorber.
- The power generator may not be operated without the air filter or with the air filter cover open.
- The generator's tank may not be refilled during operating.
- The tank may not be refilled when the power generator is hot.
- The power generator may not be cleaned and serviced when in operation; when hot.
- Always remove spark plug connector prior to commencing servicing and repair work.
- The power generator must be shut down when not required for periods longer than 30 days.
- The power generator must be stored in a dry enclosed room.

## 2. Description



1. Notice – electrical voltage
2. Notice – earthing
3. Notice – oil level / oil check
4. General safety notice
5. Notice – hot surfaces
6. Type plate
7. Notice – air filter maintenance
8. Notice – fuel valve
9. Notice – choke
10. Notice – sound power level
11. Notice – risk of fire / fuel
12. Notice – please note during operation

1. Fuel tank cover
2. Fuel tank
3. Choke switch
4. Fuel valve
5. Air filter
6. Cable grip for motor starter
7. Spark-plug connector
8. Oil drain screw
9. Vibration absorber
10. Engine rocker switch (on-off)
11. Shock-proof socket
12. Oil dipstick
13. Circuit breaker
14. Digital control display
15. Ground



**Function and Mode of Operation**

The synchronous generator is rigidly coupled to the drive motor. The aggregate is mounted on a stable base plate and is housed elastically in a low vibration state. The engine is protected by an oil monitor, which automatically switches off or prevents starting of the engine when the oil pressure (low oil level) is too low. A mechanical governor keeps the engine speed constant. Power consumption is via a splash-proof shock-proof 220 V / 50 Hz socket. The generator's voltage regulation is provided within rated speed limits by an automatic voltage regulator (AVR = Automatic Voltage Regulator). The AVR evens out voltage peaks making it especially suitable for electronic loads, e.g. electronically regulated power tools such as drills as well as domestic appliances such as cookers, heaters, television etc. The power generator is designed for mobile operation with one or several loads. Power generators operate in accordance with the safety measure – circuit separation. The circuit separation separates the supply of an appliance from the connected network. The establishment of a closed circuit is prevented via the earth.

### 3. Specifications

Model	BS 2200	BS 4400	BS 5500	BS 6600
Generator type	Synchro			
Rated frequency/ IP	50 Hz / IP 23	50 Hz / IP 23	50 Hz / IP 23	50 Hz / IP 23
Rated voltage	220 V 1~	220 V 1~	220 V 1~	220 V 1~
Max. output	2,2 kWA	4,4 kWA	5,5 kWA	6,2 kWA
Rated output	2kW	4kW	5 kW	5,7 kW
Cos $\gamma$	1			
Motor type	1-cylinder, 4-stroke, air-cooled			
Displacement	173 cubic cm	389 cubic cm	407 cubic cm	439 cubic cm
Max. power	4,1 kW	8,6 kW	9,6 kW	10,3 kW
Tank capacity	15 l	25 l	25 l	25 l
Noise level	95dB(A)	95dB(A)	97dB(A)	98dB(A)
Dimension, LxWxH	640x480x475 mm	730x550x590 mm	730x550x590 mm	730x550x590 mm
Oil tank capacity	0,6 l	1,1 l	1,1 l	1,1 l
Weight	42 kg	78 kg	85 kg	88 kg

The manufacturer reserves himself the right to make the manual's content or power generator function change without any preliminary notification of the users.

### 4. Putting the Power Generator into Operation

#### Remove transport lock

Before the initial operation you need to check if the transport locks are attached. These must be removed!

- Loosen the retaining bolts of the red transport lock on both sides (1).
- Remove the locks.
- Keep both transport lock with nuts and bolt for possible use at a later time.

#### Transporting the Power Generator

These requirements must be fulfilled:

- Power generator is turned off
- Power generator has cooled down
- Air vent is in the OFF position.
- Lift carry grips.
- Proceed slowly.

#### Setting-up the Power Generator

These requirements must be fulfilled:

- Level and stable surface outdoors
- Operating area is free of flammable materials
- Operating area is free of explosive materials
- Prevent leaks of motor oil and fuel.



**Fuelling the Power Generator**

These requirements must be fulfilled:

- Appliance is switched off.
- Appliance is cool.
- Adequate air supply and ventilation.
- Avoid fuel leakages.
- Appliance is switched off.
- Appliance is cooled.
- Avoid naked flames and sparks.
- Do not fill tank to maximum.
- Use filling device (funnel).
- Only fill with regular gasoline/petrol RON 91.

1. Push the fuel valve to the OFF position
2. Unscrew the tank cap.
3. Insert filling device (funnel) into the tank.
4. Fill with fuel.
5. Remove the filling device.
6. Replace the tank cap.

**Filling the Power Generator with Motor Oil**

The power generator is, as a rule, delivered without oil.

- It is not possible to start the appliance if the oil level is too low, because the motor is fitted with an oil monitor.

These requirements must be fulfilled:

- Appliance is switched off.
- Appliance is cool.

**WARNING!**

Leaking motor oil and fuel contaminates the soil and ground water .

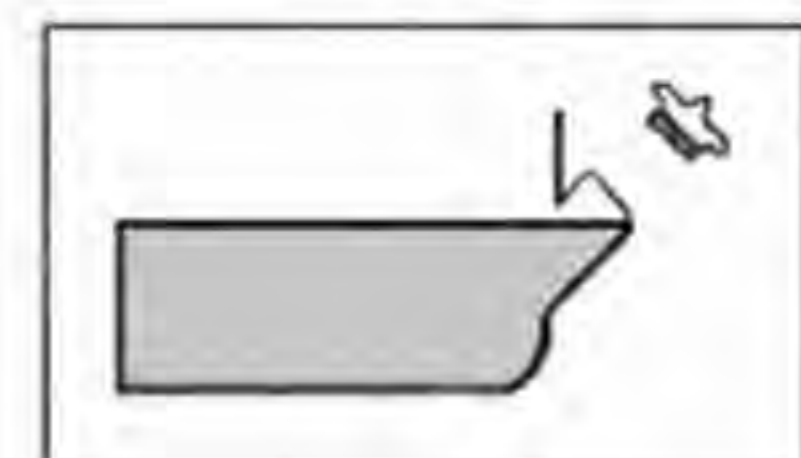
- Do not fill crankcase to maximum (check the volume with oil dipstick).
- Use filling device (funnel).

**WARNING!**

Incorrect motor oil will damage motor irreparably. Please check the ambient temperature and fill with the following listed oil type::

- $< 0^{\circ}$  => **SAE 10 or 10W30; 10W40**
- $0^{\circ}$ - $25^{\circ}$  => **SAE 20 or 10W30; 10W40**
- $25^{\circ}$ - $35^{\circ}$  => **SAE 30 or 10W30; 10W40**
- $35^{\circ}$  >  $t_o$  => **SAE 40 or 10W30; 10W40**

1. Unscrew oil dipstick.
2. Insert filling device (funnel) into the opening (not supplied).
3. Fill motor oil up to the edge of the oil-filler neck.
4. Remove filling device.
5. Replace oil dipstick.
6. If oil level is too low, repeat filling procedure.
7. Tighten oil dipstick.



**Starting the Power Generator**

These requirements must be fulfilled:

- Electrical safety is checked.
- Fuel tank is filled.
- Adequate oil level.
- Adequate air supply and ventilation.
- Load is switched off or disconnected.

**WARNING!**

Operating materials can combust or explode.

- Avoid leakage of motor oil and fuel.
- Do not use ignition aids.
- Avoid naked flames and sparks.



Air vent switch to position ON.

Open/close fuel valve

Switch position	Function
OFF	Closed
ON	Open

**WARNING!**

Exhaust fumes affect the respiratory system with potentially fatal consequences.

- Ensure there is adequate ventilation.
- Only use appliance outdoors.

**WARNING!**

Hot components can ignite flammable and explosive materials..

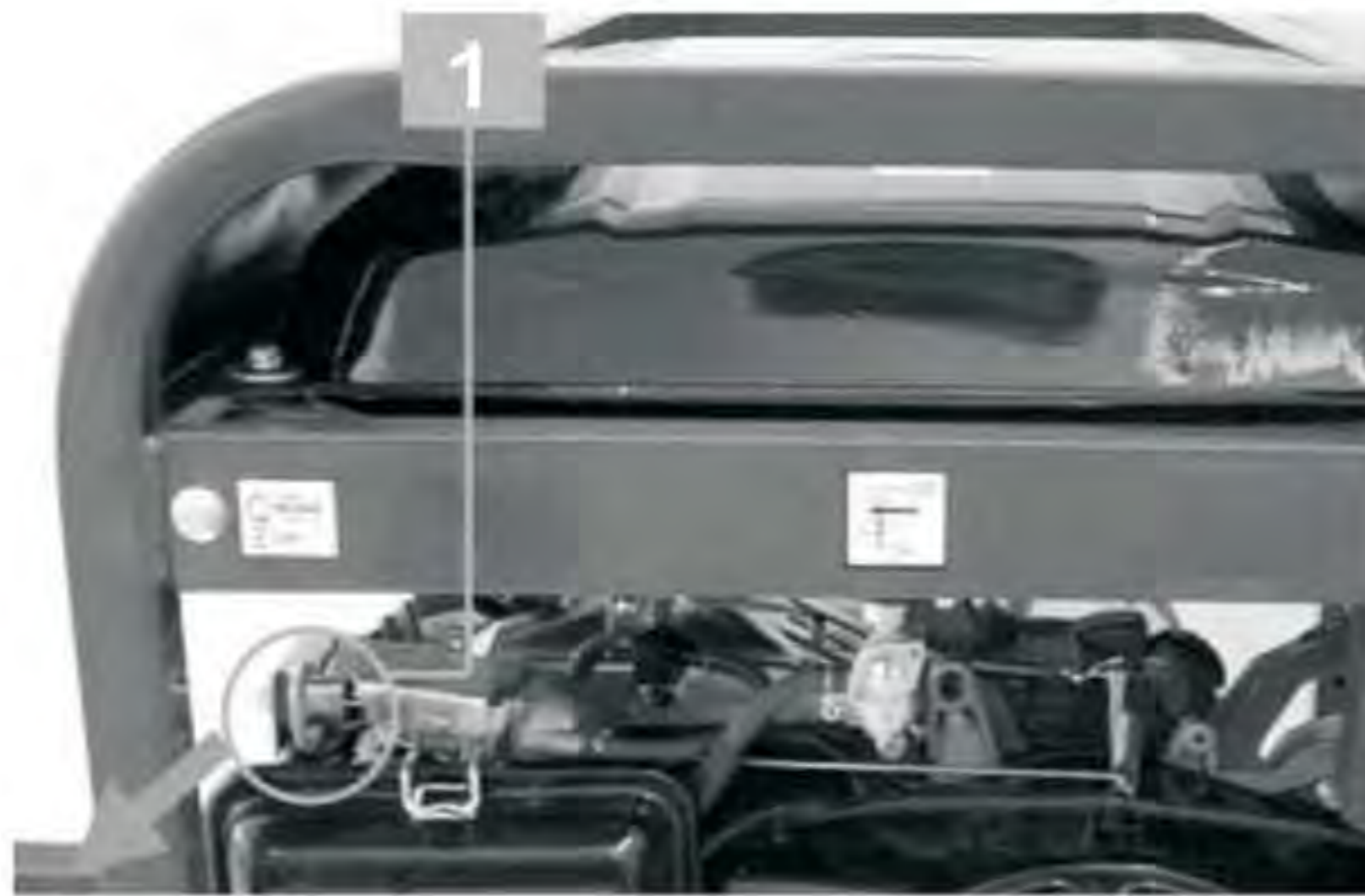
- Avoid flammable materials at operating area.
- Avoid explosive materials at operating area.

**WARNING!**

Heat or wetness damages the appliance irreparably.

- Avoid overheating (adequate ventilation).
- Avoid wetness.





**BS 4400, BS 5500, BS 6600**



**BS 2200**



***Starting motor***

1. Push choke lever to START position “see air filter label” for cold engine only.
  2. Push Rocker switch of motor to ON position .
  3. Pull cable grip slowly out to point of action, then pull with a swift but fluid movement. In order to ease the pulling action, brace yourself with one hand on the appliance grip.
  4. Push the choke level to the RUN position.
- After a period of approx. one minute, the electrical load can be connected or turned on.

**Connecting load**

The following requirements must be fulfilled:

- The power generator is started
- Warm up period is complete
- Load is turned off

**WARNING!**

Electric shocks cause injuries with potentially fatal consequences.

- The power generator must not be connected to other electric supply systems (e.g. public supply systems) or electrical generation systems (e.g. other power generators).

You may connect the load with earthing type plugs (220 V alternating current) (1).



Proceed as follows to connect a load to the shockproof socket:

1. Lift cover.
2. Insert shock-proof plug.

**Ambient conditions and reduced output**

**AMBIENT CONDITIONS**

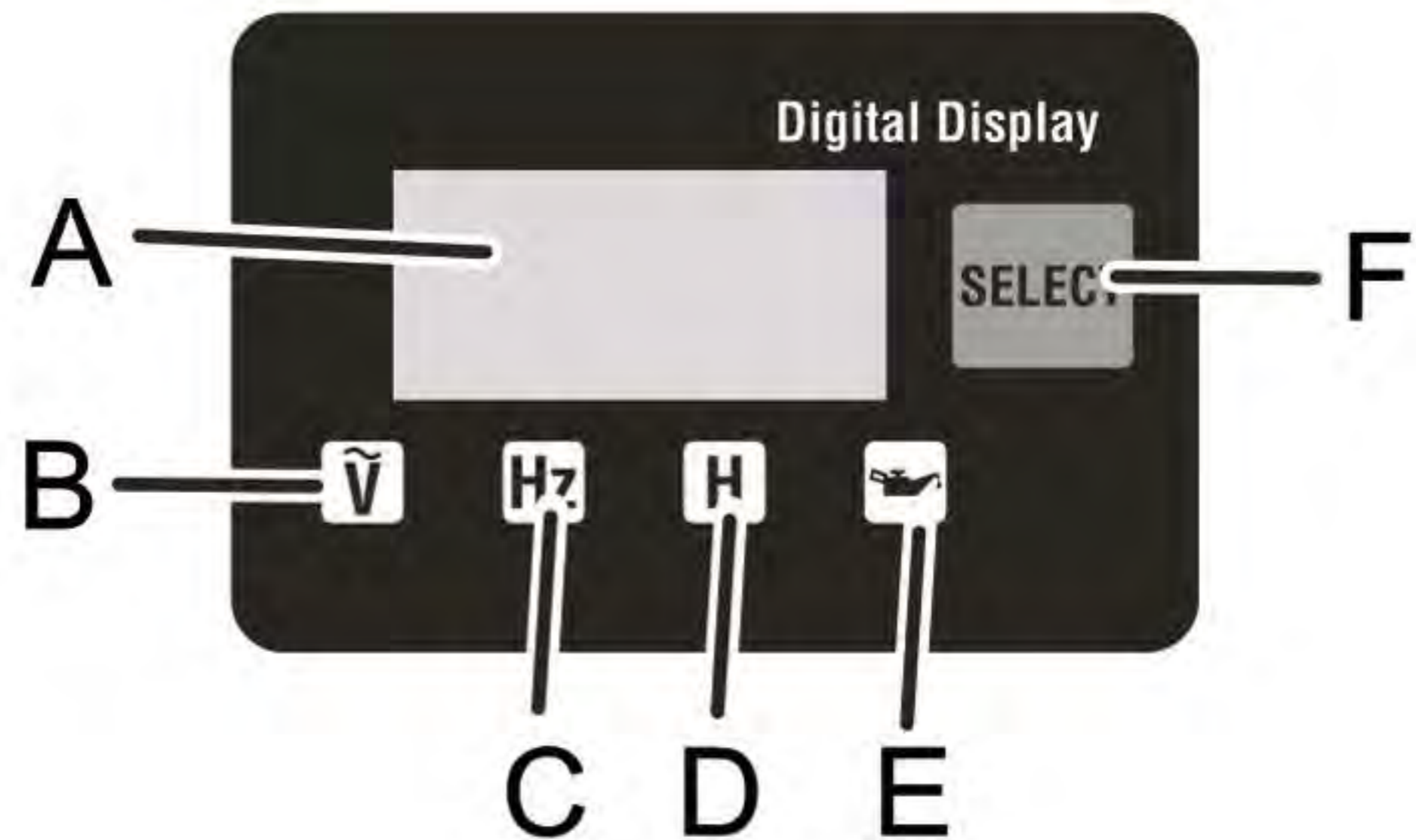
Description	Value	Unit
Set up height about sea-level	< 100	[m]
Temperature	< 27	[ C]
Relative humidity	< 60	[%]

**REDUCED OUTPUT**

Reduction in output	Each additional	Unit
1 %	100	[m]
4 %	10	[ C]

**Digital display**

- A - Digital display
- B - AC voltage indicator
- C - Frequency indicator
- D - Hour indicator
- E - Low lubricant alert
- F - Select button



**Switching off the Power Generator**

**WARNING!**

Hot components can ignite flammable and explosive materials.

- Avoid flammable materials at the operating area.
- Avoid explosive materials at the operating area.
- Allow appliance to cool.

1. Switch off or disconnect load.
2. Allow motor to continue running for approx. a further two minutes.



Rocker switch for motor (OFF)



Fuel valve (OFF)

3. Push the Rocker switch of motor to the OFF position.
4. Push fuel valve switch to the OFF position.
5. Allow appliance to cool.

**Preparation and maintenance in winter time**

Maintenance in winter time is considered to be the period when the temperature of the ambient air is fixed below +5°C. The low temperature of the ambient air hampers the engine start, negatively influences the operation of all its systems. To prepare the generator and provide its further no-failure operation it is necessary to make the following steps:

- Use up all the old fuel completely, discharge the remaining one.
- Clean the filter of the fuel valve.
- Check the air filter. Change it if necessary.
- Substitute the engine oil for the oil corresponding to the season.
- Fill the fuel tank with the fuel to avoid ingress of water and its further freezing in the fuel tank and the carburetor.

The generator is to be kept in a place at the temperature from +5°C and above in winter time. If the engine stops for more than 15 minutes during the operation at negative temperatures it is necessary to place the set into a warm place to prevent the condensate freezing in the breather pipe and the throttle before its start. It may cause the pressure boost in the crankcase housing and the gaskets break down. The monitoring of the set operation is to be carried out oftener than under usual operating conditions as they are considered to be rough.

**5. Shutting down Power Generator**

Starting problems may be experienced if the electrical generator is only used infrequently.

To avoid these problems the generator should be run for approx. 30 minutes per week.

If you do not require the power generator for a longer period of time, shut the generator down and put it into storage. Proceed as follows to shut down the generator.

These requirements must be fulfilled:

- Load is switched off or disconnected
- Appliance is switched off
- Appliance is still a little warm

**Draining motor oil**

Drain the motor oil from generator as follows:

1. Hold catchment tank under the oil drain screw. The catchment tank capacity min 1 litre.
2. Use wrench to loosen and remove oil drain screw.
3. Drain engine oil. Used or residual operating materials should be disposed of according to the locally applicable recycling regulations for the protection of the environment.
4. Replace oil drain screw and tighten with wrench.

### **Drain fuel tank**

Proceed as follows to empty generator's fuel tank:

1. Place the catchment tank beside the generator. The catchment tank capacity varies depending on the model(6 or 26 litres). Push fuel valve switch to the OFF position.
2. Carefully disconnect fuel pipe from carburettor and allow to drain into catchment tank.
3. Push fuel valve switch to the ON position.
4. Push fuel valve switch to the OFF position

Used or residual operating materials should be disposed of according to the locally applicable recycling regulations for the protection of the environment.

### **Conservation of engine**

These requirements must be fulfilled:

- Appliance is turned off
- No more fuel in the tank
- Fuel valve in OFF position.

1. Remove spark-plug connector
2. Remove spark-plug with a spark-plug wrench.
3. Apply approx. 1 ml oil to the spark-plug aperture.
4. Screw spark-plug back in and tighten.
5. Pull the starter cable several times slowly so that the oil is distributed around the engine compartment.
6. Re-insert the spark-plug connector.

### **Cleaning the air filter**

The air filter of the generator is cleaned as follows:

1. Remove air filter cover (1) from air filter housing
2. Wash out the air filter element in a suitable container with kerosene.
3. Pour some motor oil onto the filter and press out excess oil.
4. Replace air filter
5. Replace air filter cover onto air filter housing
6. Air filter is cleaned and mounted.



## 6. Trouble Shooting

FAULT	POSSIBLE CAUSE	REMEDY
Engine will not start	Engine switch in (OFF) position	Put switch to (ON) position
	Fuel valve in (OFF) position	Put fuel valve to (ON) position
	Low fuel / oil	Check and refill if necessary
	Sparkplug dirty or defective	Clean spark plug, replace if necessary
	Spark plug connection not connected to sparkplug	Connect sparkplug connector to sparkplug
	The choke is not activated in cold state	Push choke lever to start position
Only model with electric start	Starter motor defective	*Check starter motor, replace if necessary
	Battery defective	Replace battery
	Battery charge too low	Charge battery
No output voltage	Circuit breaker in (OFF) position	Put circuit breaker to (ON) position
	Faulty capacitor	*Change capacitor
	Generator not magnetized	*Re-magnetize generator
Circuit breaker is activated	Load too high	Check amount of connected loads, reduce if necessary
	Connected load is defective	*Have load checked by authorized outlet
The engine runs briefly before cutting out	Fuel filter is dirty	*Clean, replace if necessary
	Oil level is too low	Check, refill if necessary
	Air vent from tank lid is blocked	Clean vent
	Fuel valve in (OFF) position	Put fuel valve to (ON) position
	Not enough fuel in tank	Check, refill if necessary
Motor stutters	Carburetor gummed up	*Replace carburetor
	Fuel filter dirty	*Clean fuel filter

\*It is recommended that a service station be consulted for checks or repairs here.

## 7. Servicing the Power Generator

This section describes how to service the generator.

Servicing and repair work not described in this section must be carried out by the manufacturer's personnel.

The following servicing work must be carried out in accordance with the corresponding periods.

Servicing work	Intervals in operating hours, h					
	after 8 hours	every 8 hours / yearly	every 25 hours / yearly	every 50 hours / yearly	every 100 hours / yearly	yearly
Check electrical safety	before each operation					
Check oil level	before each operation					
Change oil	X			(X) <sup>1)</sup>		
Clean air filter			(X) <sup>2)</sup>			
Clean area around exhaust silencer, linkage and springs		X				
Change spark-plugs						X
Change fuel filter						(X) <sup>3)</sup>
Check fitting of screws, nuts and bolts					X	
Check condition and leak tightness of fuel lines and connections					X	

1) Every 25 h for operation under heavy loads or high ambient temperatures.

2) Clean often in very dusty conditions or where there are high accumulations of foreign matter or during longer periods of use in long dry grass.

3) Where applicable.

## 8. Warranty

Warranty refer to defects of materials and components and do not refer to components subject to natural wear and maintenance work.

Only machines cleaned from dust and dirt in original factory packing fully completed, provided with instruction manual, warranty card with fixed sales date with a shop stamp factory serial number and originals of sales and ware receipt issued by salesman are subjects of warranty. Within the warranty period the service center eliminate free of charge all detected production defects. The manufacturer disclaims warranty and legal responsibilities if nonobservance of the instruction manual by user, unqualified disassembling repair or maintenance of the machine as well does not bear responsibility for caused injury to persons or damages.

**ВНИМАНИЕ! ПЕРЕД ИСПОЛЬЗОВАНИЕМ ЭЛЕКТРОСТАНЦИИ ВНИМАТЕЛЬНО ОЗНАКОМЬТЕСЬ С ДАННОЙ ИНСТРУКЦИЕЙ.**

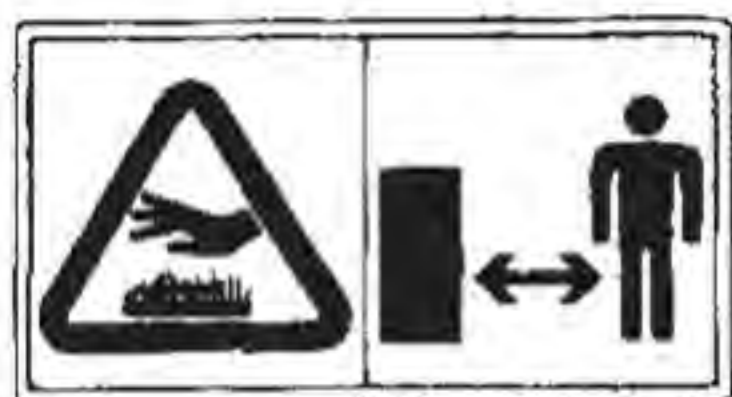
К использованию и обслуживанию электростанции допускается только квалифицированный и специально обученный персонал, ознакомленный с данной инструкцией.

В этой инструкции содержится описание, правила безопасности и вся необходимая информация для правильной эксплуатации электростанции FUBAG. Сохраняйте данную инструкцию и обращайтесь к ней при возникновении вопросов по безопасной эксплуатации, обслуживанию, хранению и транспортировке электростанции FUBAG.

## 1. Правила безопасности

**ВНИМАНИЕ!**

Выхлопы содержат вредный угарный газ. Никогда не эксплуатируйте электростанцию в закрытом помещении. Перед включением убедитесь, что обеспечена хорошая вентиляция. При установке в хорошо проветриваемых зонах обращайтесь внимание на обеспечение безопасности.

**ВНИМАНИЕ!**

При работе электростанции глушитель становится очень горячим и остывает некоторое время после ее выключения. Будьте внимательны и не дотрагивайтесь до глушителя, пока он горячий. Дайте двигателю остыть до того, как поставить его на хранение в помещение.

Выхлопная система двигателя будет нагреваться при работе и останется горячей некоторое время после выключения двигателя.

Для предотвращения ожогов обращайтесь внимание на предупредительные наклейки на электростанции.

**ВНИМАНИЕ!**

Бензин является легко воспламеняемым и взрывчатым веществом. Осуществляйте заправку электростанции топливом только в хорошо проветриваемых зонах при выключенном и остывшем двигателе. Поблизости не должно быть курящих, источника искр и дыма. Всегда заправляйте электростанцию в хорошо проветриваемом месте. Пролитый бензин необходимо сразу удалить.

**ВНИМАНИЕ!**

Подсоединение электростанции к электросистеме должно осуществляться только квалифицированным электриком и должно соответствовать всем электротехническим правилам и нормам. Неправильное подсоединение к системе может стать причиной выхода из строя электрогенератора, неисправности электросети и подключенных к ней электроприборов, а также привести к поражению электричеством людей.



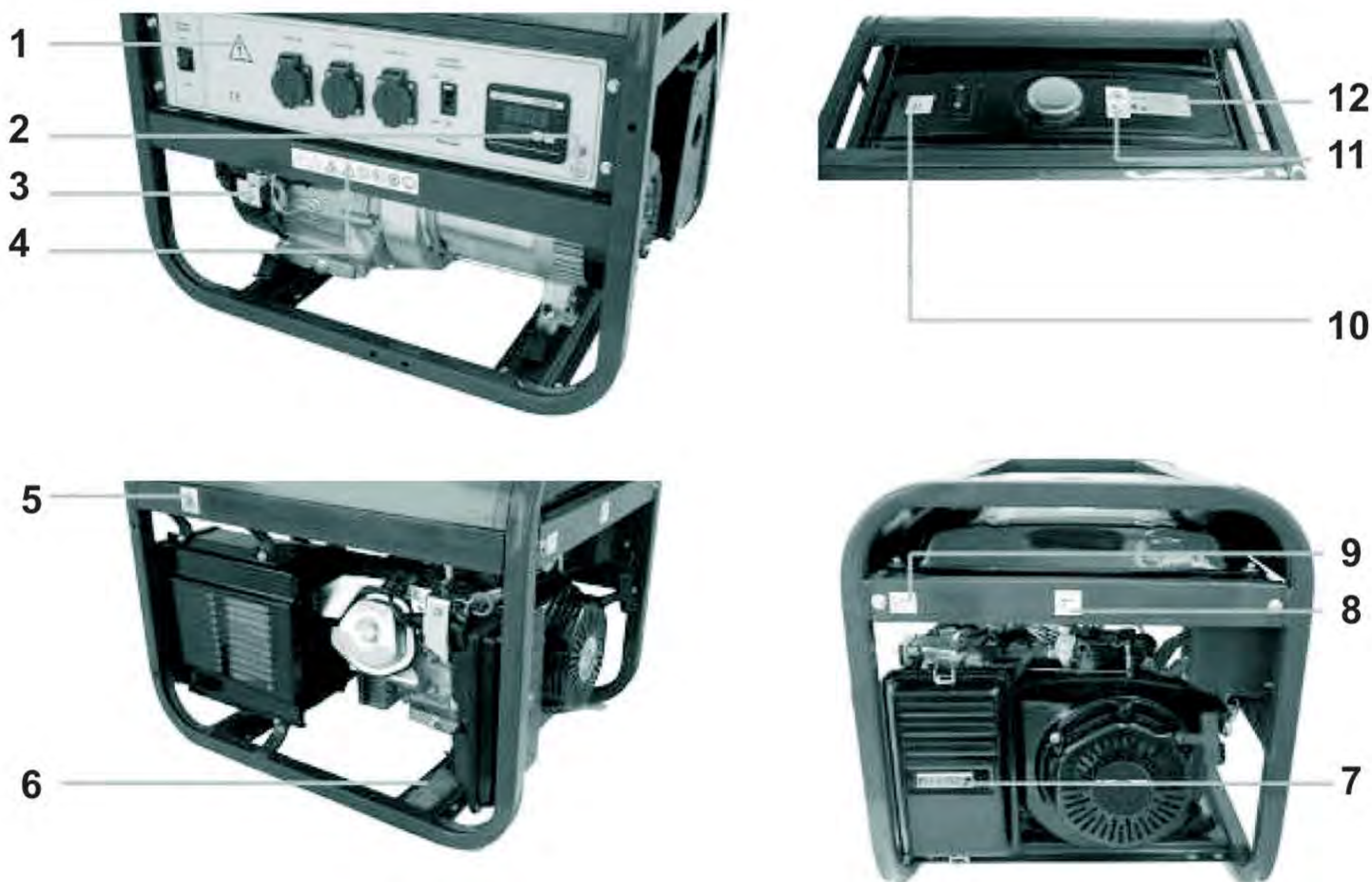
## **⚠ ВНИМАНИЕ!**

- Всегда проводите предэксплуатационный осмотр электростанции до запуска двигателя. Вы можете предотвратить аварию или повреждение оборудования.

- При работе размещайте электростанцию на расстояние не менее 5м от зданий/стен или другого оборудования.
- Во время работы электростанция должна стоять на горизонтальной поверхности.
- Внимательно изучите и запомните параграфы инструкции, касающиеся остановки электростанции, и органов управления. Не допускайте к работе с электростанцией лиц, не ознакомившихся с инструкцией.
- Не допускайте к работающей электростанции детей и домашних животных.
- Электростанция является источником электротока и при неправильной эксплуатации может стать причиной поражения электрическим током. Не осуществляйте эксплуатацию электростанции мокрыми руками и при большой влажности.
- Не эксплуатируйте электростанцию в дождь или снег и не допускайте попадания на нее влаги.
- Лицам, работающим с электростанцией, необходимо знать его устройство, функции его элементов и уметь их использовать.
- Работающие с электростанцией несут ответственность за безопасность его эксплуатации.
- Работающие с электростанцией несут ответственность за то, чтобы к нему не допускались лица, не имеющие соответствующей квалификации.
- Работающие с электростанцией обязаны использовать защитное снаряжение.
- На корпусе электростанции должны присутствовать и быть легко читаемыми все обозначения.
- Любые изменения конструкции электростанции запрещаются. Запрещается изменять частоту вращения двигателя, установленную заводом-производителем.
- Перед каждым запуском и после него следует проверять безопасность и исправность прибора.
- Электростанцию можно использовать только вне закрытых помещений.
- Вблизи электростанции необходимо остерегаться открытого огня и искр. Курение вблизи электростанции строго запрещается.
- Электростанцию необходимо защищать от попадания в нее грязи и инородных предметов.
- Электростанцию разрешается транспортировать только в охлажденном состоянии.
- Электростанцию разрешается перевозить, только если она надёжно зафиксирована и не может опрокинуться.
- Перед каждым запуском необходимо проверить электробезопасность.
- Запрещается использовать средства для облегчения запуска.
- Подключать потребители электроэнергии можно только после запуска и прогрева двигателя.
- Необходимо использовать только качественные и исправные соединительные провода.
- Общая мощность подключаемых потребителей, по активной нагрузке, не должна превышать номинальной расчетной мощности электростанции. Общая мощность подключаемых потребителей, по индуктивной нагрузке, не должна превышать 0,5 от номинальной мощности электростанции.
- Запрещается использовать электростанцию без глушителя, воздушного фильтра или при открытой крышке воздушного фильтра
- Запрещается производить заправку электростанции во время работы. Запрещается производить заправку не остывшей электростанции. Используйте при заправке воронку.
- Запрещается производить чистку электростанции во время работы. Запрещается производить чистку ещё не остывшей электростанции.
- Запрещается обслуживать электростанцию во время работы. Запрещается обслуживать не остывшую электростанцию.

- Обслуживающему персоналу разрешается производить только те работы по обслуживанию электростанции, которые описаны в данном руководстве. Любые другие работы разрешается проводить только специалистам сервисной службы.
- Перед началом работ по обслуживанию и ремонту обязательно снимайте колпачок свечи зажигания.
- Соблюдайте интервалы технического обслуживания, указанные в руководстве.
- Консервируйте генератор, если им не пользуются более 30 дней.
- Храните генератор в сухом и закрытом помещении.

## 2. Описание



1. Указатель «Высокое напряжение»
2. Указатель «Заземление»
3. Указатель «Уровень/контроль масла»
4. Общие указатели по безопасности
5. Осторожно! Высокая температура!
6. Фирменная табличка
7. Указатель «Обслуживание воздушного фильтра»
8. Указатель «Топливный кран»
9. Указатель воздушной заслонки
10. Указатель уровня шума
11. Указатель «Огнеопасно»
12. Указатель топлива

1. Крышка топливного бака
2. Топливный бак
3. Рычаг воздушной заслонки
4. Топливный кран
5. Воздушный фильтр
6. Рукоятка стартового тросика
7. Колпачок свечи зажигания
8. Винт слива масла
9. Амортизатор
10. Выключатель двигателя
11. Розетка
12. Маслоизмерительный стержень
13. Выключатель
14. Цифровой дисплей
15. Контакт заземления

### Принцип работы

Генератор жёстко связан в валом моторного привода. Моторный блок установлен на прочной платформе и имеет амортизирующую подвеску.

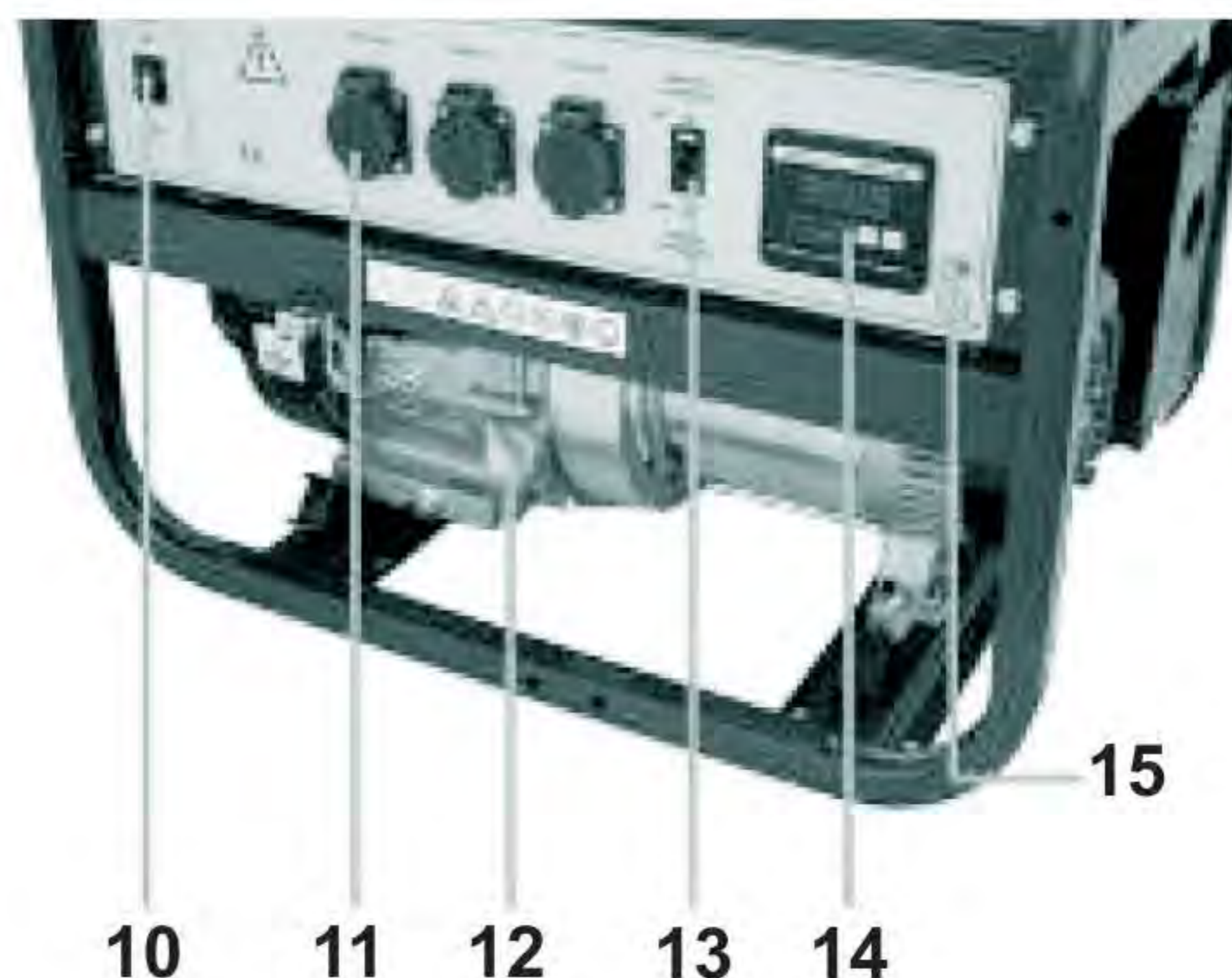
Напряжение подаётся на стандартный брызгозащищённый разъём 220 В / 50 Гц.

Расчётная частота вращения регулируется автоматическим контрольным блоком AVR (Automatic-Voltage-Regulator).

Автоматический контрольный блок сглаживает скачки напряжения, что особенно важно при работе с потребителями, имеющими электронное управление – электроинструментами, плитами, отопительными приборами, телевизорами и др.

Генератор рассчитан на мобильное использование с одним или несколькими потребителями электроэнергии.

Уравнивание потенциалов (защитное отключение) генератора происходит через отдельный кабель, которым генератор необходимо заземлять (не входит в комплект поставки).



### 3. Технические характеристики

Модель	BS 2200	BS 4400	BS 5500	BS 6600
Тип генератора	Синхронный			
Частота/ Защита	50 Гц / IP 23	50 Гц / IP 23	50 Гц / IP 23	50 Гц / IP 23
Номинальное напряжение	220 В 1~	220 В 1~	220 В 1~	220 В 1~
Пиковая нагрузка	2,2 кВА	4,4 кВА	5,5 кВА	6,2 кВА
Постоянная нагрузка	2 кВт	4 кВт	5 кВт	5,7 кВт
Cos $\varphi$	1			
Тип двигателя	1- цилиндровый, 4-тактный, воздушного охлаждения			
Рабочий объём	173 см.куб	389 см.куб	407 см.куб	439 см.куб
Макс. Мощность	4,1 кВт	8,6 кВт	9,6 кВт	10,3 кВт
Объём бака	15 л	25 л	25 л	25 л
Звуковая мощность	95dB(A)	95dB(A)	97dB(A)	98dB(A)
Габариты, ДхШхВ	640x480x475мм	730x550x590 мм	730x550x590 мм	730x550x590 мм
Объём масляного бака	0,6 л	1,1 л	1,1 л	1,1 л
Вес	42 кг	78 кг	85 кг	88 кг

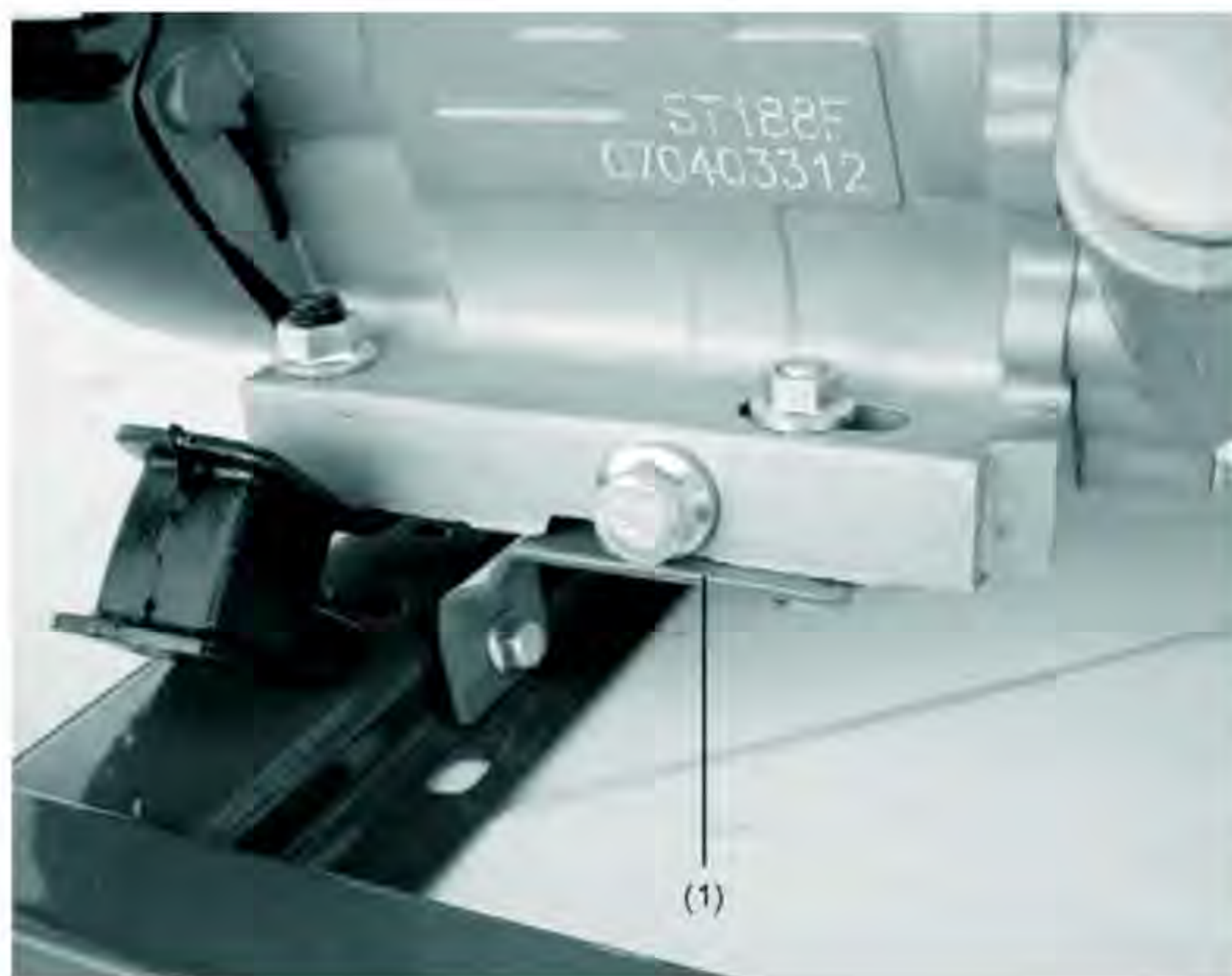
Производитель имеет право вносить изменения, как в содержание данной инструкции, так и в конструкцию электростанции без предварительного уведомления пользователей.

### 4. Ввод в эксплуатацию

#### Демонтаж фиксирующих креплений для транспорта

Перед первым пуском необходимо снять фиксирующие крепления.

- Открутите болты фиксирующих креплений с обеих сторон мотора (1).
- Снимаете фиксирующие крепления.
- Сохраните фиксирующие крепления и болты для будущего использования при транспортировке электростанции.



#### Переноска электростанции

Необходимо соблюдать следующие условия:

- Выключить электростанцию
- Дать электростанции остыть
- Закрыть воздушный вентиль топливного бака
- Переносить только за ручку
- Не спешить

#### Установка электростанции

Необходимо соблюдать следующие условия:

- Выберите ровную и прочную поверхность вне закрытых помещений
- Выберите место вдали от горючих материалов
- Выберите место вдали от взрывчатых веществ
- Не допускайте протекания бензина и моторного масла.

## Заправка электростанции

Необходимо выполнять следующие условия:

- Обеспечьте достаточную вентиляцию.
- Не допускайте протекания бензина.
- Выключите электростанции.
- Дайте электростанции остыть.
- Остерегайтесь огня и искр.
- Не заправляйте бак до отказа.
- Используйте воронку.
- Используйте только бензин с октановым числом не менее 91.

1. Установите топливный кран в положение „ВЫКЛ“
2. Отвинтите крышку топливного бака.
3. Вставьте в заливную горловину воронку.
4. Залейте бензин.
5. Выньте воронку.
6. Завинтите крышку топливного бака.

## Заправка моторным маслом

Генератор продаётся и поставляется без масла.

- При нехватке масла система контроля блокирует запуск двигателя.

Необходимо соблюдать следующие условия:

- Выключите прибор
- Дайте прибору остыть

### **ВНИМАНИЕ!**

Моторное масло загрязняет почву и грунтовые воды.

- Не заполняйте картер двигателя до отказа (см. маслоизмерительный стержень).
- Используйте воронку.

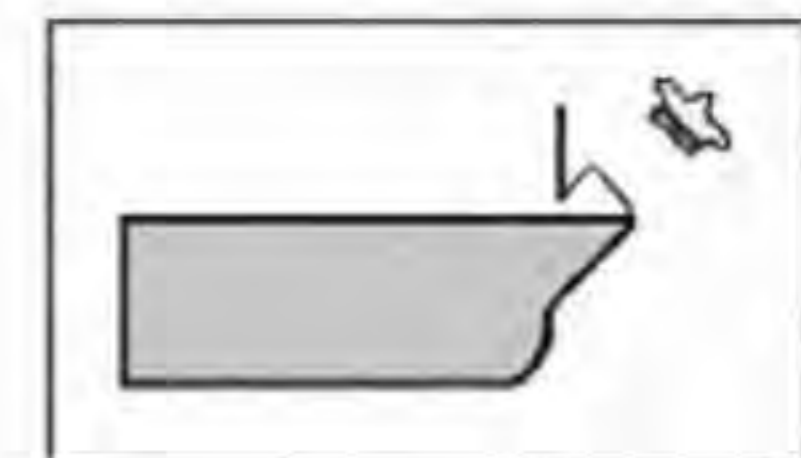
### **ВНИМАНИЕ!**

Непредусмотренный тип масла выводит двигатель из строя. Выбирайте тип масла в зависимости от температуры воздуха:

- менее 0° => SAE 10 или 10W30; 10W40
- 0°-25° => SAE 20 или 10W30; 10W40
- 25°-35° => SAE 30 или 10W30; 10W40
- 35° > и выше => SAE 40 или 10W30; 10W40

- Не используйте добавки к маслу.

1. Вывинтите маслоизмерительный стержень.
2. Вставьте воронку в заливную горловину (не входит в комплект поставки).
3. Залейте масло по верхней метке на маслоизмерительном стержне.
4. Выньте воронку.
5. Вставьте маслоизмерительный стержень.
6. Если масла недостаточно, повторите заправку.
7. Завинтите маслоизмерительный стержень.



## Запуск электростанции

Необходимо соблюдать следующие условия:

- Обеспечить электробезопасность.
- Заправить электростанцию бензином.
- Заправить электростанцию маслом.
- Обеспечить вентиляцию.
- Отсоединить или выключить потребители.

## ОСТОРОЖНО!

Топливо и масло горючи и взрывоопасны.

- Не допускайте протекания бензина и масла.
- Не используйте приспособлений для облегчения старта.
- Остерегайтесь огня и искр.

Электростанция питается топливом из собственного бака.

Обеспечьте приток топлива, установив рычажок воздушного вентиля на „ВКЛ“.



Открыть/закрыть топливный кран

Положение рычажка	Состояние вентиля
ВЫКЛ	Закрыт
ВКЛ	Открыт

## ОСТОРОЖНО!

Вдыхание выхлопных газов может привести к асфиксии и опасности для жизни.

- Обеспечьте достаточную вентиляцию.
- Не используйте прибор в закрытых помещениях.

## ОСТОРОЖНО!

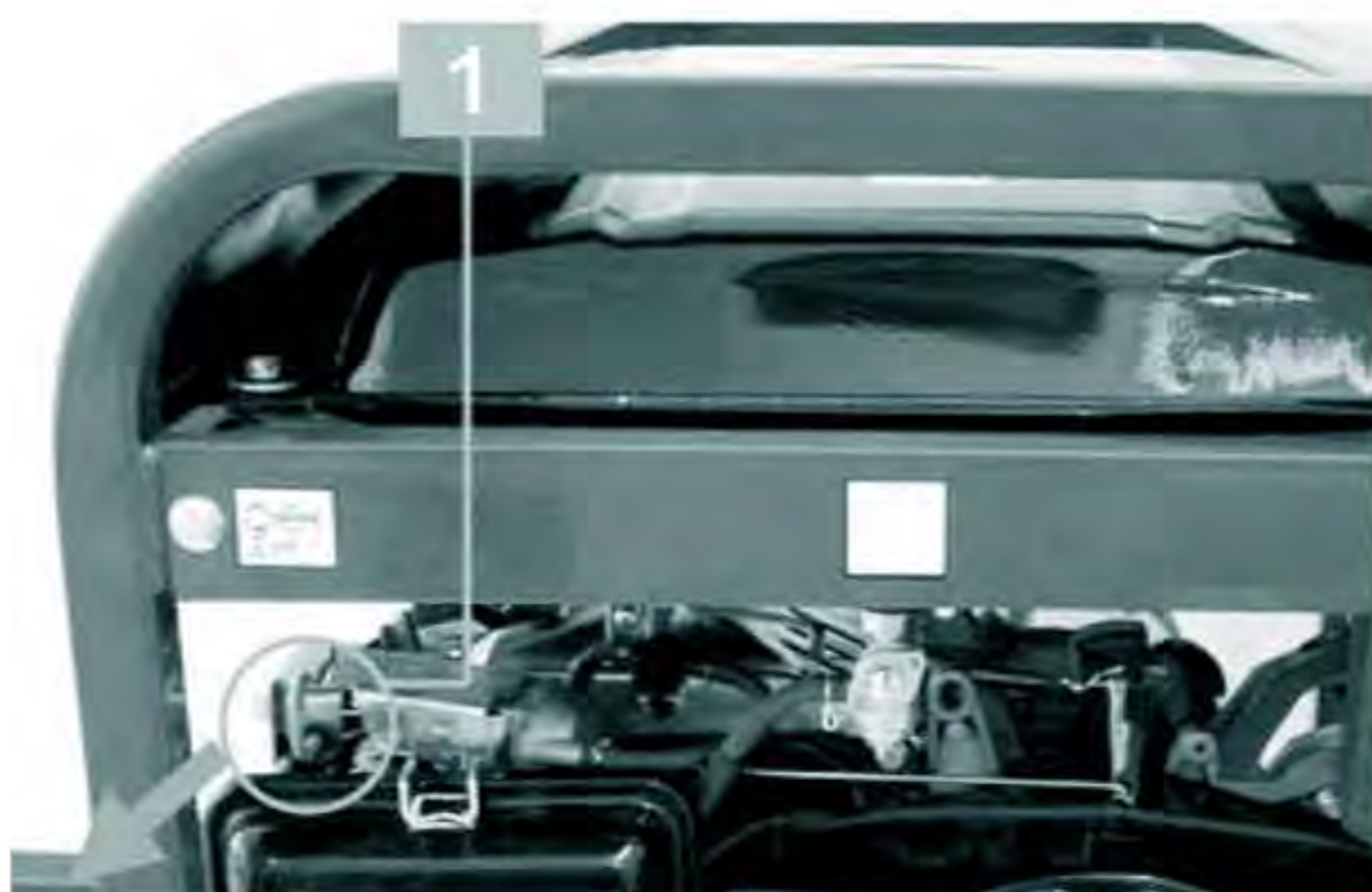
Горячие части прибора могут воспламенить горючие и взрывчатые вещества.

- Устанавливайте прибор вдали от горючих материалов.
- Устанавливайте прибор вдали от взрывчатых веществ.

## ВНИМАНИЕ!

Перегрев и влажность ведут к поломке прибора.

- Избегайте перегрева (следите за вентиляцией).
- Избегайте влажности.



**BS 4400, BS 5500, BS 6600**



**BS 2200**



**Запуск двигателя**

1. Установите рычажок дросселя в положение «СТАРТ» „воздушный фильтр - см. надпись“ (только при холодном двигателе).
  2. Установите выключатель двигателя (в положении «ВКЛ»).
  3. Вытяните рукоятку тросика до точки сопротивления и затем быстрым, но плавным движением до конца.  
Обопритесь одной рукой о ручку прибора, чтобы облегчить вытягивание тросика.
  4. После запуска установите рычажок дросселя в положение «ПУСК».
- Потребители электроэнергии можно подсоединять или подключать после прогрева двигателя, занимающего около 1 минуты.

**Подключение потребителей**

Подключайте потребители к электростанции следующим образом:

- Запустить генератор
- Прогреть двигатель
- Подключить потребители

**ОСТОРОЖНО!**

Удары током могут быть смертельны.

- Не подключайте электростанцию к другим электросетям (например, к сети общего пользования) и системам выработки электроэнергии (например, к другим электростанциям).

Потребители подключаются через стандартный разъём переменного тока 220 В (1).



Подключите потребитель к розетке:

1. Поднимите крышку разъёма.
2. Вставьте вилку.

**Поправка мощности и требования к месту установки**

**ТРЕБОВАНИЯ К МЕСТУ УСТАНОВКИ**

Параметр	Величина	Единицы
Высота над уровнем моря	< 100	[м]
Температура	< 27	[С]
Отн. влажность воздуха	< 60	[%]

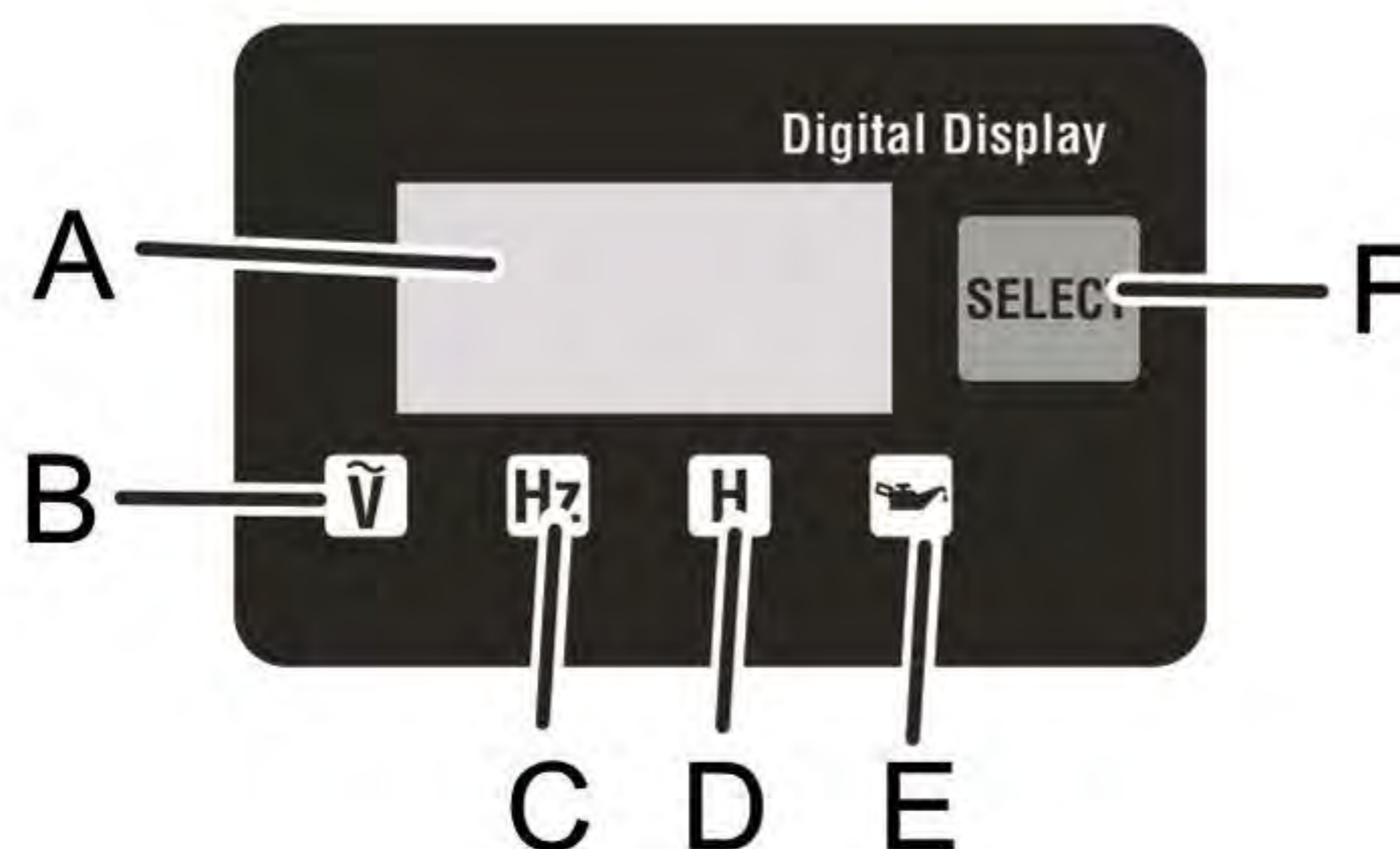
**ПОПРАВКА МОЩНОСТИ**

Снижение мощности	На каждые дальнейшие	Единицы
1 %	100	[м]
4 %	10	[С]



## Цифровой дисплей

- A - экран
- B - индикация напряжения
- C - индикация частоты
- D - индикация времени работы
- E - индикация низкого уровня масла
- F - кнопка выбора



## Выключение электростанции ОСТОРОЖНО!

Горячие части прибора могут воспламенить горючие или взрывчатые вещества.

- Остерегайтесь горючих материалов вблизи электростанции.
- Остерегайтесь взрывчатых веществ вблизи электростанции.
- Давайте электростанции остыть.

1. Выключите или отсоедините потребители.
2. Не выключайте двигатель ещё около двух минут.



Выключатель двигателя  
в положение ВЫКЛ



Закреть топливный  
кран (ВЫКЛ)

3. Выключатель двигателя (в положении «ВЫКЛ»).
4. Установить топливный кран в положение «ВЫКЛ».
5. Дайте прибору остыть.

## Подготовка и эксплуатация в зимнее время

Зимним периодом эксплуатации считается такой период, когда температура окружающего воздуха устанавливается ниже  $+5^{\circ}\text{C}$ . Низкая температура окружающего воздуха затрудняет пуск двигателя, оказывает отрицательное влияние на работу всех его систем. Для подготовки электростанции и дальнейшей безаварийной его эксплуатации необходимо провести ряд мероприятий:

- Выработать полностью старое топливо, остатки его слить.
- Произвести очистку фильтра топливного крана.
- Проверить воздушный фильтр, при необходимости заменить его.
- Заменить моторное масло на соответствующее сезону.
- В топливный бак залить топливо во избежание попадания и дальнейшего замерзания воды в топливном баке и карбюраторе.

В зимнее время электростанция должна храниться в помещении с температурой от  $+5^{\circ}\text{C}$  и выше. Если во время работы при отрицательных температурах производится остановка двигателя более чем на 15 минут, то перед запуском необходимо поместить установку в теплое место для предотвращения замерзания конденсата в трубке сапуна и в дроссельной заслонке. Это может привести к повышению давления в картере и выходу из строя сальников. Контроль за работой установки в этот период должен осуществляться чаще обычного, так как условия эксплуатации являются тяжелыми.

## 5. Консервирование электростанции

При редком использовании электростанции могут возникать сложности при его запуске. Чтобы их не возникало, электростанция должна работать по крайней мере по 30 минут в неделю.

Если Вы не пользуетесь электростанцией в течение длительного времени, законсервируйте ее. Консервируйте электростанцию следующим образом:

- Отключить или отсоединить потребители
- Выключить прибор
- Дать двигателю остыть

### Слив моторного масла

Сливайте моторное масло так:

1. Установите ёмкость для моторного масла под винт для слива масла. В ёмкость для моторного масла должно входить не менее 1 литра.
2. Выверните винт и удалите его.
3. Слейте моторное масло. Сдавайте отработанные горюче-смазочные материалы или их остатки на переработку согласно действующим предписаниям об охране окружающей среды.
4. Вверните винт и затяните его ключом.

## Слив топлива из бака

Опорожняйте бензобак электростанции так:

1. Установите рядом с электростанцией ёмкость для топлива. В ёмкость должно входить, в зависимости от модели, от 6 до 26 литра. Точно это указано в таблице характеристик.
2. Установить топливный кран в положение «ВЫКЛ».
3. Аккуратно снимите топливный шланг с карбюратора и направьте его в ёмкость.
4. Установить топливный кран в положение «ВКЛ».

Сдавайте отработанные горюче-смазочные материалы или их остатки на переработку согласно действующим предписаниям об охране окружающей среды.

## Консервирование двигателя

Консервируйте двигатель так:

- Выключите электростанцию
- Убедитесь, что в баке нет топлива
- Топливный кран переведите в положении «ВЫКЛ»

1. Снимите колпачок свечи зажигания.
2. Вывинтите свечу специальным ключом.
3. Влейте приблизительно 1 мл масла в отверстие для свечи зажигания.
4. Ввинтите и затяните свечу зажигания.
5. Несколько раз медленно вытяните стартовый тросик, чтобы масло распределилось внутри двигателя.
6. Наденьте колпачок свечи зажигания.

## Очистка воздушного фильтра

Очищайте фильтр так:

1. Снимите крышку воздушного фильтра(1) с корпуса.
2. Выньте фильтр и промойте его в керосине.
3. Смочите фильтр моторным маслом и хорошо отожмите его.
4. Вставьте фильтр на место
5. Установите крышку фильтра обратно.



## 6. Неисправности и их устранение

НЕИСПРАВНОСТЬ	ВОЗМОЖНАЯ ПРИЧИНА	УСТРАНЕНИЕ
Нет напряжения на разъёмах	Слишком низкие обороты двигателя	*Настройте обороты двигателя
	Замыкание или повреждение изоляции проводов	Проверьте потребители
	Дефектный конденсатор	Замените конденсатор
	Замыкание или повреждение изоляции обмотки ротора или статора	Проверьте сопротивление обмоток; при необходимости замените обмотку
	Защитный выключатель установлен в положение «ВЫКЛ»	Установите выключатель в положение «ВКЛ»
Низкое напряжение при нулевой нагрузке	Слишком низкие обороты двигателя	Настройте обороты двигателя
	Выпрямитель	Проверьте и при необходимости замените выпрямитель
	Дефектный конденсатор	Замените конденсатор
	Замыкание или повреждение изоляции обмотки ротора или статора	Проверьте сопротивление обмоток; при необходимости замените обмотку
	Генератор размагничен	Намагнитьте генератор заново
Повышенное напряжение при нулевой нагрузке	Дефектный конденсатор	Замените конденсатор
	Электронный регулятор напряжения	Проверьте и при необходимости замените регулятор
Пониженное напряжение под нагрузкой	Выпрямитель	Проверьте и при необходимости замените выпрямитель
	Слишком низкие обороты при полной нагрузке	Настройте обороты двигателя
	Перегрузка	Снизьте нагрузку
Неравномерное напряжение	Неравномерная нагрузка	Снимите всю нагрузку и подключайте потребители один за другим, чтобы определить, какой из них вызывает колебания
Посторонние звуки	Ослаблены крепёжные винты генератора или двигателя	Затяните все винты
	Замыкание в обмотке возбуждения или в блоке нагрузки	*Проверьте сопротивление обмоток, при необходимости замените обмотку; проверьте блок нагрузки на замыкания, при необходимости замените блок нагрузки
	Дефектный подшипник	*Замените подшипник
Двигатель не заводится	Нет топлива	Проверьте топливо
	Топливный кран в положении «ВЫКЛ»	Установите топливный кран в положение «ВКЛ»
	Двигатель выключен	Установите выключатель двигателя в положение «ВКЛ»
	Загрязнённый или плохо закреплённый колпачок свечи зажигания	Очистите, при необходимости замените колпачок свечи зажигания
	Загрязнённая свеча зажигания	Очистите, при необходимости замените свечу зажигания
	При запуске горит лампа «нехватка масла»	Проверьте масло, при необходимости дозаправьте

\*Все эти проверки и ремонт следует проводить только в сервисном центре.

## 7. Техническое обслуживание

- Обслуживание аппарата может производиться только квалифицированным персоналом.
  - Всегда выключайте электростанцию и снимайте колпачок свечи зажигания.
- Проводите следующие работы по обслуживанию регулярно и с соблюдением указанных интервалов.

Работы	Интервал работы электростанции, час					
	после 8 часов	каждые 8 часов / ежедневно	каждые 25 часов / ежегодно	каждые 50 часов / ежегодно	каждые 100 часов / ежегодно	ежегодно
Проверка электробезопасности	перед каждым запуском					
Проверка уровня масла	перед каждым запуском					
Смена масла	X			(X) <sup>1)</sup>		
Очистка воздушного фильтра			(X) <sup>2)</sup>			
Внешняя очистка глушителя, рамы и пружин		X				
Замена свечи зажигания						X
Замена топливного фильтра						(X) <sup>3)</sup>
Проверка винтов, болтов и гаек					X	
Проверка герметичности топливопровода и состояния разъёмов					X	

- 1) При работе под сильной нагрузкой или при высокой температуре воздуха - каждые 25 ч.
- 2) При сильно запылённом воздухе или при работе в высокой сухой траве проводите очистку чаще обычного.
- 3) Если есть.

## 8. Гарантийные обязательства

Гарантийный срок на оборудование указывается в прилагаемом сервисном талоне.

Гарантия относится к дефектам в материалах и узлах и не распространяется на компоненты, подверженные естественному износу и работы по техническому обслуживанию.

Гарантийному ремонту подлежат только очищенные от пыли и грязи аппараты в заводской упаковке, полностью укомплектованные, имеющие инструкцию по эксплуатации, гарантийный талон с указанием даты продажи, при наличии штампа магазина, заводского номера и оригиналов товарного и кассового чеков, выданных продавцом.

В течение гарантийного срока Сервисный центр устраняет за свой счёт выявленные производственные дефекты. Производитель снимает свои гарантийные обязательства и юридическую ответственность при несоблюдении потребителем инструкций по эксплуатации, самостоятельной разборки, ремонта и технического обслуживания аппарата, а также не несет никакой ответственности за причиненные травмы и нанесенный ущерб.

